



IQ-II

MOVING MAGNET CARTRIDGE

OWNER'S INFORMATION



CONTENTS

- 1) CE DECLARATION OF CONFORMITY
DISPOSAL**
- 2) INTRODUCTION**
- 3) OVERVIEW AND UNPACKING**
- 4) INSTALLATION AND STYLUS REPLACEMENT**
- 7) TECHNICAL SPECIFICATIONS**
- 8) WARRANTY INFORMATION**
- 9) CONTACT INFORMATION**

CE DECLARATION OF CONFORMITY



We declare under our sole responsibility that this product is in conformity with the following standards or standardized documents:

BS EN 60065 in accordance with the regulations 73/23/EEC, 89/336/EEC (from 1 January 1997)

CE 94

Audio Note (UK) Limited
Viscount House
Star Road, Star Trading Estate
Partridge Green
West Sussex
RH13 8RA
United Kingdom

Tel: +44 (0)1273 830 800
Fax: +44 (0)1273 731 498
e-mail: info@audionote.co.uk



DISPOSAL

This product must not be disposed of as normal household waste. To prevent possible harm to the environment please separate the product from other waste to ensure that it can be recycled in an environmentally safe manner. Please contact your retailer or the appropriate local government office for collection facilities.

INTRODUCTION

Thank you for purchasing this Audio Note (UK) product. With the correct care it should give you many years of pleasure and enjoyment.

Please take the time to read all of the information in this manual before connecting your new component to an electrical supply or your system, to ensure both your safety and satisfaction.

Please note that due to our desire to continually improve products, specifications are subject to change without notice. Therefore it is important to refer to the manual that is supplied with your product for the most accurate information; manuals downloaded from our website or obtained from other sources may no longer fully apply to your product.

If you have any questions regarding the information contained within this document or your new component, please feel free to contact us: -

Audio Note (UK) Limited
Viscount House
Star Road, Star Trading Estate
Partridge Green
West Sussex
RH13 8RA
United Kingdom

Tel: +44 (0)1273 830 800
Fax: +44 (0)1273 731 498
e-mail: info@audionote.co.uk



IQ-II MOVING MAGNET CARTRIDGE

Congratulations on your purchase of the Audio Note (UK) IQ-II Moving Magnet cartridge.

It features a rigid yet lightweight body made from Pocon, which is equipped with integral threaded inserts for easy installation in the tonearm head-shell. This mounting system greatly improves mechanical coupling between the cartridge body and head-shell in comparison to the traditional nut & bolt fixing.

The internal coils are made from extremely fine copper wire, and the cantilever is formed from a specific grade of hardened aluminium tube. You may also notice that the suspension is more stiff than usually seen in Moving Magnet cartridges of this type.

The stylus is an Audio Note Type II, and the complete assembly is removable, making replacement or upgrade a very simple and cost effective process. In fact, all of the IQ stylus assemblies are interchangeable, meaning that you could start with an IQ-1, and eventually replace the stylus assembly with the vastly superior version used in the IQ-III.

It has been designed to be used with a Moving Magnet compatible phonostage, with an input impedance of 47K Ohms. Total capacitance in parallel (including arm lead and amplifier capacitance) should not exceed 200pF. If other values of load resistance and capacitance are used, the frequency response of the cartridge may depart from the specified values.

UNPACKING

Please take care when unpacking your IQ-II. Choose a clean, clear location to unpack your cartridge. We recommend that you retain and carefully store all of the original packing materials, in case transportation / shipping is required at a later date.

Open the external cardboard packaging, and carefully remove the clear acrylic box containing the cartridge. It is shipped with the removable stylus and stylus guard installed.

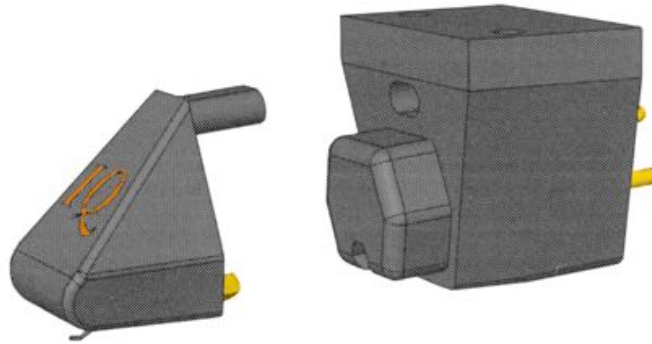
You should also find two mounting bolts and an appropriately sized hex head wrench.

Carefully remove the cartridge from the surrounding packing sponge, paying particular attention not to touch the delicate cantilever area.

Once the cartridge, mounting bolts and wrench have been removed, place the packaging to one side. Once installation has been completed, return the wrench to the packaging and store safely for later use.

You are now ready to mount your IQ-II in your tonearm's head-shell.

INSTALLATION



To protect the stylus from damage during installation, we recommend removing the stylus assembly from the cartridge body, as in the above illustration.

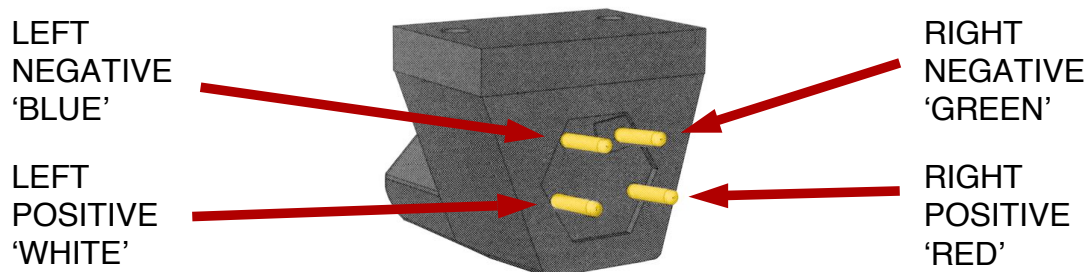
To do this, first remove the clear acrylic stylus guard. Next, firmly but gently grasp either side of the black stylus assembly with one hand (the component with the 'IQ' logo on its front face, on the left of the above image), and with your other hand, grasp the cartridge body (the black component to the right in the above image).

BE VERY CAREFUL, AND DO NOT TOUCH THE CANTILEVER OR STYLUS!

Gently ease the two parts away from each other; they should separate relatively easily.

Once the stylus has been removed, store it in a safe place, with the cantilever facing upwards. Do not store the cartridge or stylus assembly with the cantilever facing down, and under no circumstances should any object or material be allowed to touch, press against or exert any weight or pressure upon the stylus / cantilever assembly.

It is often easier to connect the tonearm wires to the connection pins located at the rear of the cartridge body before it is mounted in the head-shell. The pins are colour coded according to the International Standard Colour Code. Connect the four tonearm wires to the corresponding cartridge pins: -



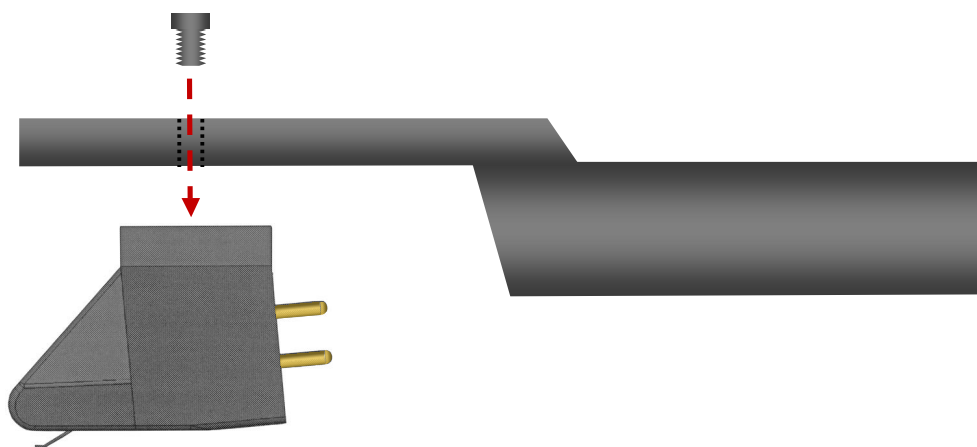
UNDER NO CIRCUMSTANCES SHOULD THE HEAD-SHELL WIRES BE SOLDERED DIRECTLY TO THE CONNECTION PINS OF THE CARTRIDGE BODY. HEAT APPLIED TO THE CONNECTION PINS WILL CAUSE IRREPARABLE DAMAGE.

INSTALLATION CONTINUED...

The cartridge body is equipped with integral threaded inserts, to make the mounting procedure easier and more secure. They are spaced 12.7mm apart, which is the industry standard distance.

A pair of high quality hex head bolts and an appropriately sized wrench are provided for mounting the cartridge body to the head-shell.

Pass the bolts down (from above) through the mounting holes in the head-shell, and align them with the threaded inserts in the top surface of the cartridge body. Gently tighten the bolts to hold the cartridge securely in place. Do not fully tighten the bolts until all cartridge alignment procedures have been completed.



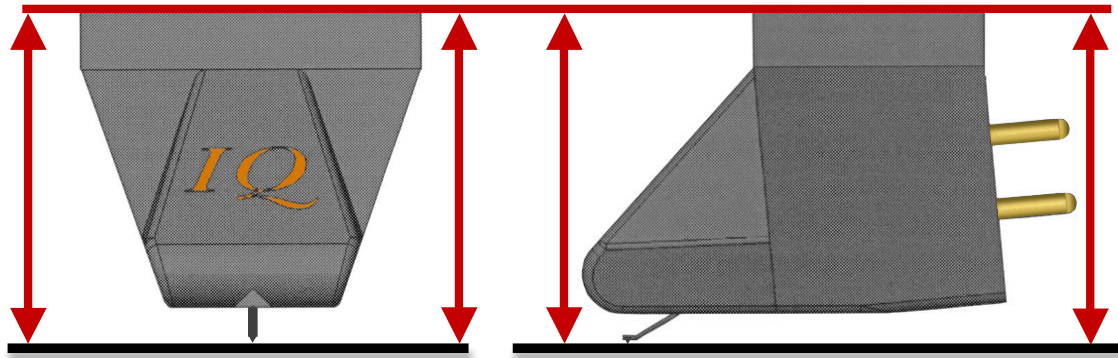
Once the cartridge is in place, set the correct tracking weight. Do this **BEFORE** the final adjustments are made for cartridge alignment, as this will help to ensure the cantilever is not damaged due to excessive tracking force. Once final alignment adjustments have been made, it will be necessary to check the tracking weight again, as any movement of the cartridge body will change the tracking weight.

The optimum tracking weight for the IQ-II is **1.75g**. Remember to remove the clear acrylic stylus guard before setting the tracking weight!

To achieve correct cartridge alignment, it will be necessary to use the alignment protractor provided with your tonearm. If in doubt, contact your tonearm manufacturer, or contact your Audio Note (UK) dealer, who will be able to advise you.

It is also important to make sure that the top surface of the cartridge is mounted parallel to the surface of the record, when viewed from the front and side. These adjustments – referred to as Azimuth and Stylus Rake Angle – will have a noticeable effect on tonal and channel balance, and every effort should be made to accurately adjust these settings.

INSTALLATION CONTINUED...



TOP SURFACE OF CARTRIDGE BODY SHOULD BE PARALLEL WITH RECORD SURFACE, WHEN VIEWED FROM THE FRONT AND SIDE.

Once the final cartridge alignment adjustments have been completed, check the tracking weight again, to ensure that it is correctly set at **1.75g**.

You are now ready to enjoy your record collection!

CLEANING AND SERVICING

Cleaning

The IQ2 requires no special maintenance or cleaning.

UNDER NO CIRCUMSTANCES SHOULD ANY LIQUID OR SOLVENT-BASED CLEANING SOLUTIONS BE APPLIED TO THE DIAMOND OR CANTILEVER. DAMAGE CAUSED TO THE CARTRIDGE BY THE USE OF LIQUID BASED CLEANING SOLUTIONS WILL NOT BE COVERED UNDER WARRANTY.

Build up of dust or fluff can be gently blown away, and only in very extreme circumstances should a small, soft artist's brush be used to clean the diamond or cantilever, moving the brush, slowly, gently and extremely carefully from back to front, never in the opposite direction or from side to side.

Cartridge Life

The operational life of a cartridge can be affected by a variety of factors, such as frequency of use, ambient temperature, humidity, quality of vinyl being played etc. Our approximate estimates for the lifespan of the IQ2 is within the region of 1000 to 3000 hours, depending on and not limited to the factors mentioned above.

Replacement

As described in the installation process, all Audio Note (UK) IQ cartridges are equipped with removable stylus assemblies, to facilitate replacement and upgrade.

If you require a replacement stylus assembly, please consult your Audio Note (UK) dealer, or alternatively please feel free to contact us direct at the address below: -

Audio Note (UK) Limited
Viscount House
Star Road, Star Trading Estate
Partridge Green
West Sussex
RH13 8RA
United Kingdom

Tel: +44 (0)1273 830 800
Fax: +44 (0)1273 731 498
e-mail: info@audionote.co.uk

TECHNICAL SPECIFICATIONS

LOAD RESISTANCE	47K Ohms
LOAD CAPACITANCE	150 – 200pF
INTERNAL INDUCTANCE	570mH
INTERNAL RESISTANCE	660 Ohms
FREQUENCY RESPONSE	20Hz to 20KHz, +/- 2dB
CARTRIDGE WEIGHT	6.3g
FIXING CENTRES	12.7mm / 0.5"
TRACKING FORCE / WEIGHT	1.5g – 2.5g (1.75g nominal)
CHANNEL BALANCE	2dB @ 1KHz
CHANNEL SEPARATION	25dB @ 1KHz
SENSITIVITY	6.5mV +/- 1.5dB 1KHz @5cm/sec
STATIC COMPLIANCE	24mm/N lateral 16mm/N vertical
EQUIVALENT TIP MASS	0.45mg
VERTICAL TRACKING ANGLE	24 degrees
NOTE	Due to Audio Note (UK)'s ongoing research and development program, specifications are subject to change without notice.

WARRANTY INFORMATION

Audio Note (UK) warrants this product to be free from defects in materials and workmanship for one year from the original date of purchase from an appointed Audio Note (UK) dealer, and agrees to covers the cost of parts and associated labour required to correct such defects, subject to terms & conditions.

This Warranty is offered to the first purchaser only.

If the product fails in normal domestic use and during the Warranty period due to the above described faults or defects, Audio Note (UK) will, at its discretion, repair or replace the item free of charge within a reasonable time once it has been returned to Audio Note (UK) or an appointed Audio Note (UK) dealer or service engineer.

Audio Note (UK) is not liable for any shipping charges incurred whilst transporting the product to or from Audio Note (UK) or an appointed Audio Note (UK) dealer or service engineer, should the item require service or repair during or after the Warranty period.

If the product must be shipped, please use the original packaging materials and include a copy of the original sales receipt along with a note explaining, in as much detail as possible, the problems you are experiencing with the unit.

Only use a reputable Courier Service or Shipping Agent, and ensure that your product is insured during transit.

Any servicing, repairs or modifications not authorized by Audio Note (UK), or carried out by persons other than appointed Audio Note (UK) service engineers will invalidate any warranty.

This Warranty does NOT cover: -

Damage sustained whilst in the possession of a shipping agent, retailer or consumer and not caused as a direct result of defects in materials or workmanship.

Damage caused by normal wear and tear.

Damage or defects caused by abnormal or unreasonable use.

Damage caused by accident, acts of nature, misuse or neglect.

Damage caused by a failure to follow the operating and installation instructions supplied with the product.

Damage caused by improper or careless cleaning.

Audio Note (UK) reserves the right to refuse warranty for any component of which the serial number has been removed, defaced or tampered with.

CONTACT INFORMATION

If in the future your Audio Note (UK) product requires servicing, or if you require technical support or have any questions regarding this or any of our other products, please contact your local Audio Note (UK) dealer.

Alternatively, please feel free to contact us directly: -

Audio Note (UK) Limited
Viscount House
Star Road, Star Trading Estate
Partridge Green
West Sussex
RH13 8RA
United Kingdom

Tel: +44 (0)1273 830 800
Fax: +44 (0)1273 731 498
e-mail: info@audionote.co.uk

