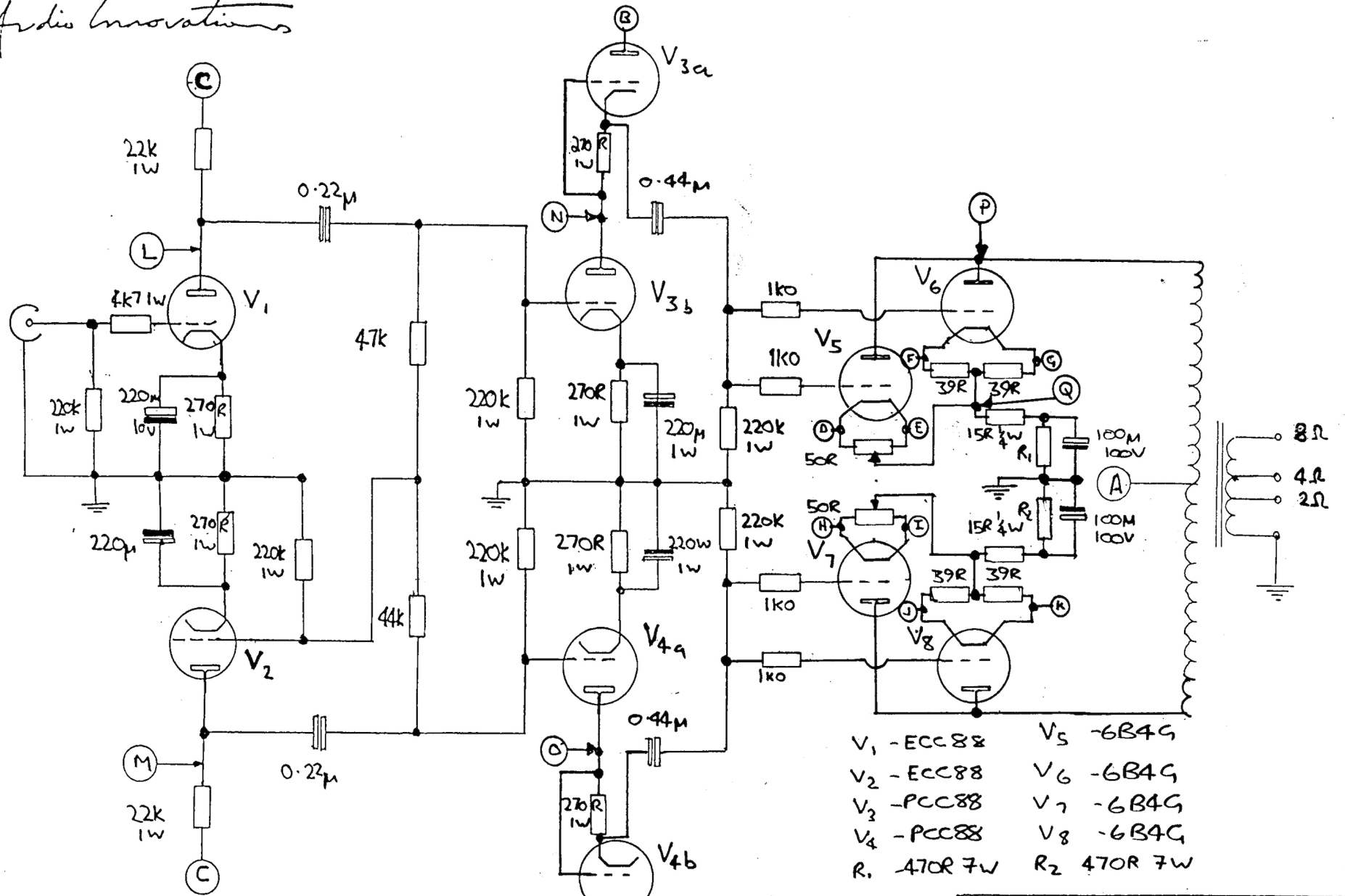


Audio Innovations



- V₁ - ECC88
- V₂ - ECC88
- V₃ - PCC88
- V₄ - PCC88
- V₅ - 6B4G
- V₆ - 6B4G
- V₇ - 6B4G
- V₈ - 6B4G
- R₁ 470R 7W
- R₂ 470R 7W

MODEL	S.A.A.
CIRCUIT	AUDIO CIRCUIT
DRW NO	DATE 24/8/89

- (L) - 65V
- (M) - 65V
- (N) - 90V
- (O) - 90V
- (P) - 310V
- (Q) - 45V

DO NOT SCALE

SHEET 1 OF 3

PART OF

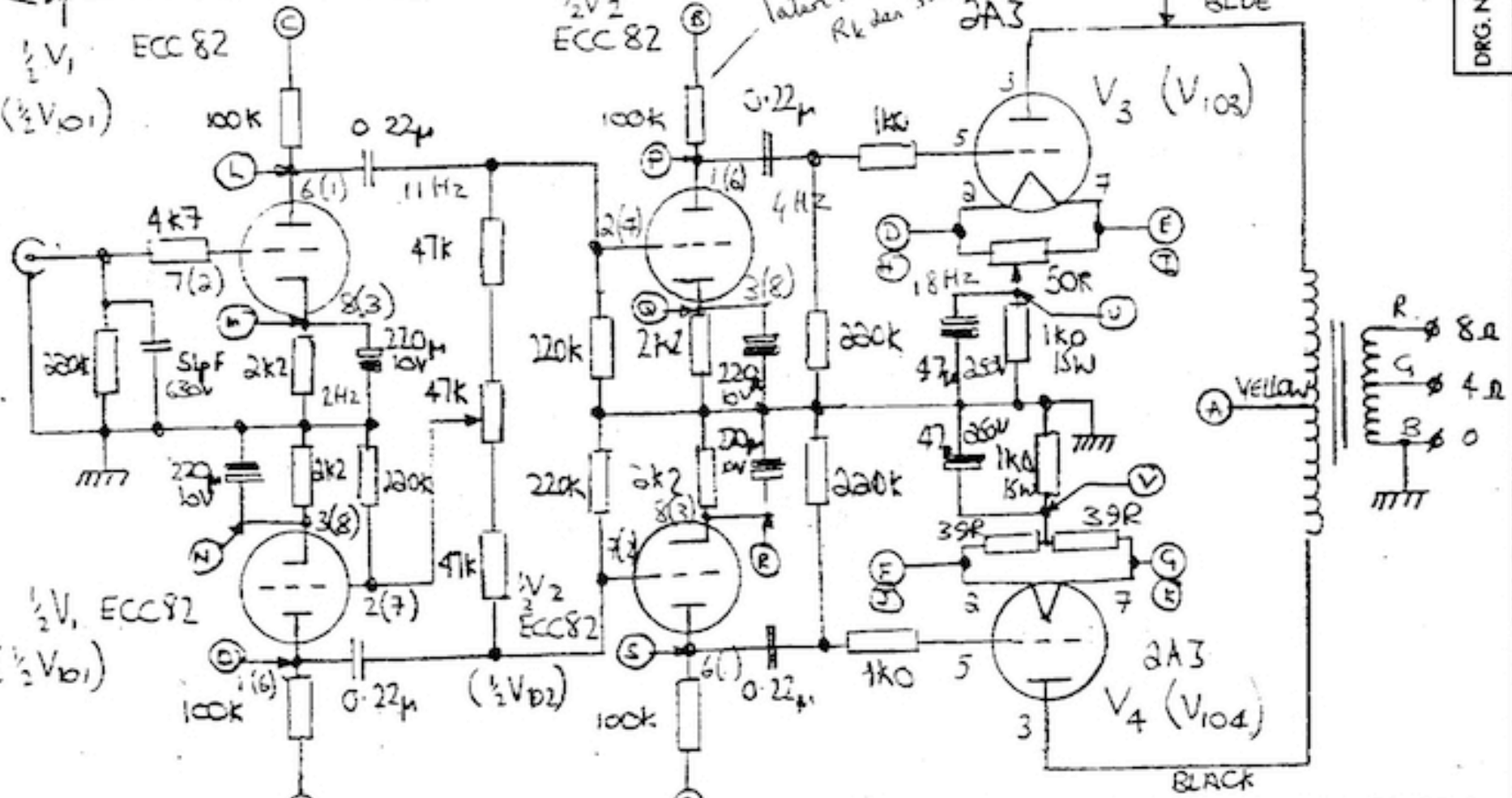
DRG. No.

Audio Innovations

$\frac{1}{2}V_1$ ECC 82
($\frac{1}{2}V_{101}$)

($\frac{1}{2}V_{102}$)
 $\frac{1}{2}V_2$ ECC 82

later: $3 \times 22k\Omega = 7k\Omega$ 3w
Rk dan 330 Ω was well met E182CC

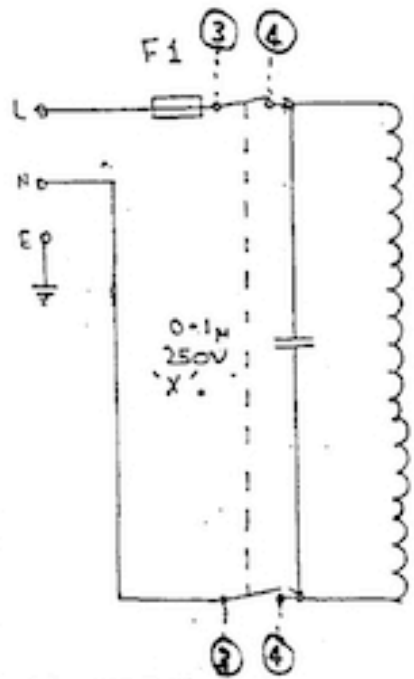


- Ⓐ 82V
- Ⓜ 3-3V
- Ⓝ 3-4V
- Ⓢ 30V
- Ⓟ 100V
- Ⓣ 4-4V
- Ⓠ 4-4V
- Ⓡ 100V
- Ⓩ 30V
- Ⓤ 47V
- Ⓥ 48V

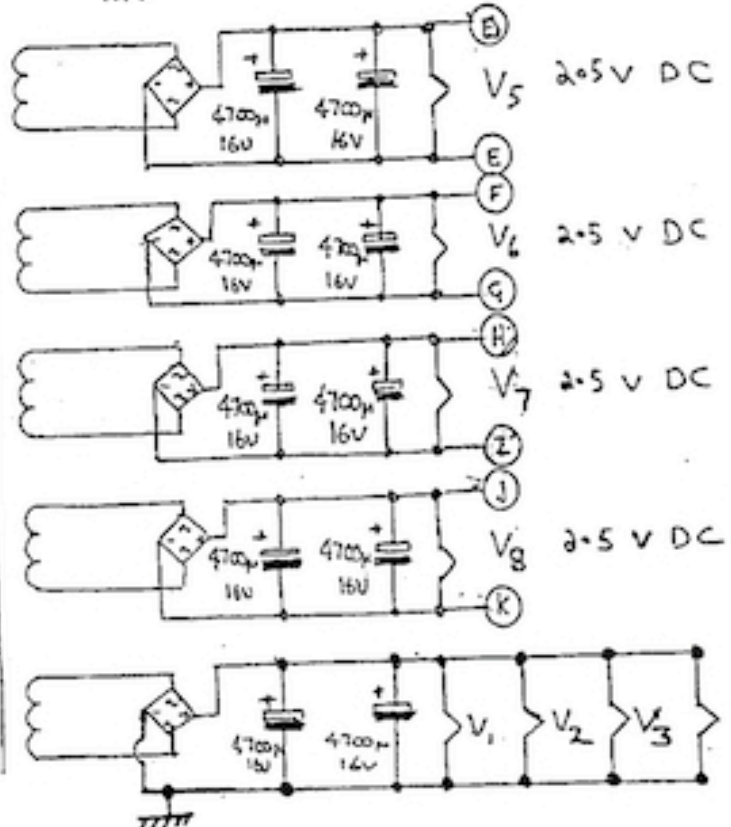
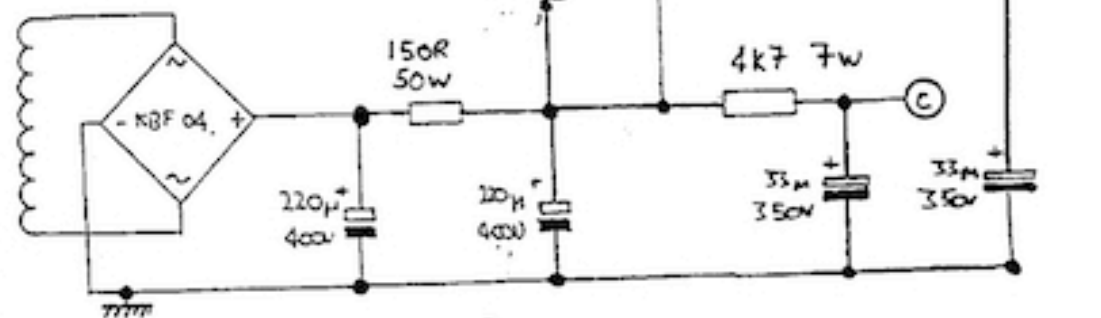
ISSUE	DESCRIPTION	APPRO DATE	TITLE	DRAWN	TRACED	CHECKED	APPROVED	DATE	
03	ECC82 IN PLACE OF ECC82 3		FIRST AUDIO AMPLIFIER	AB				10-3-91	
			AUDIO CIRCUIT						
DRAWING No.							103		

100-120V 6.3A
F1 - 220-240V 3.15A.

PRIMARY - AS PER COUNTRY.



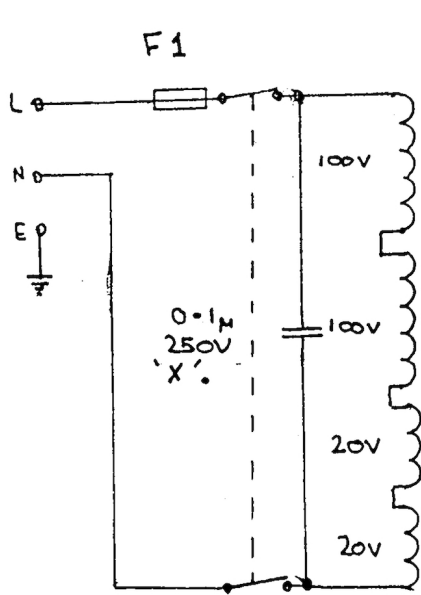
- (A) - 325 V
- (B) - 200 V
- (C) - 260 V



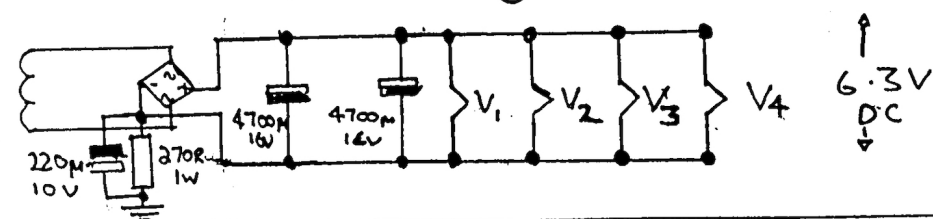
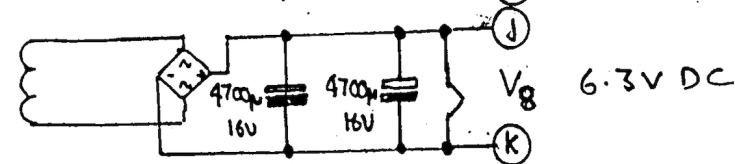
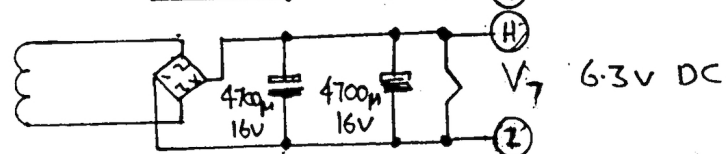
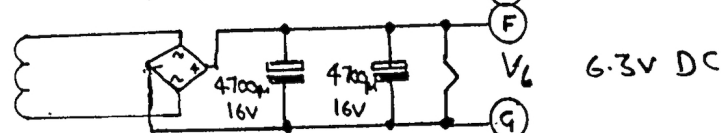
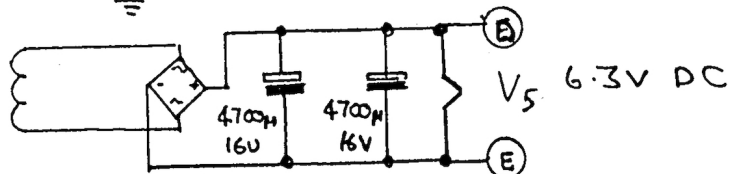
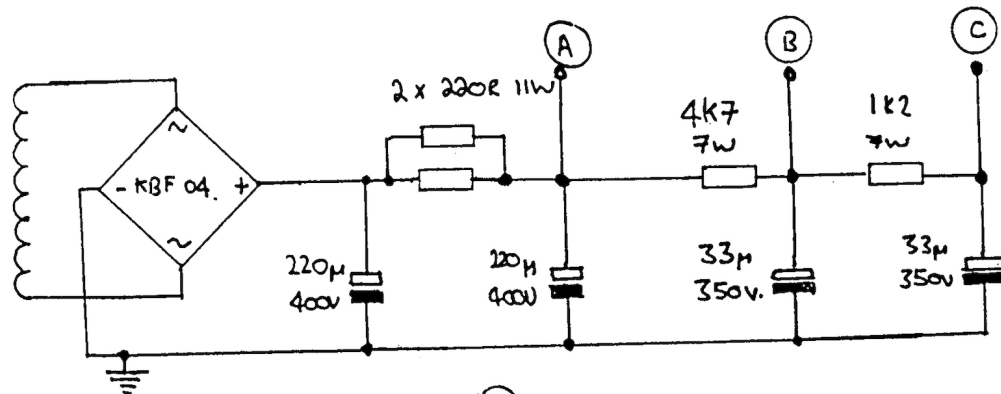
NOTE :- LOW TENSION RECTIFIERS (5 off) SA 50V RAT60.

SECOND AUDIO AMPLIFIER
POWER SUPPLY.
25/5/89 DRW NO 2

110-120V 6.3A
 F1 - 220-240V 3.15A.



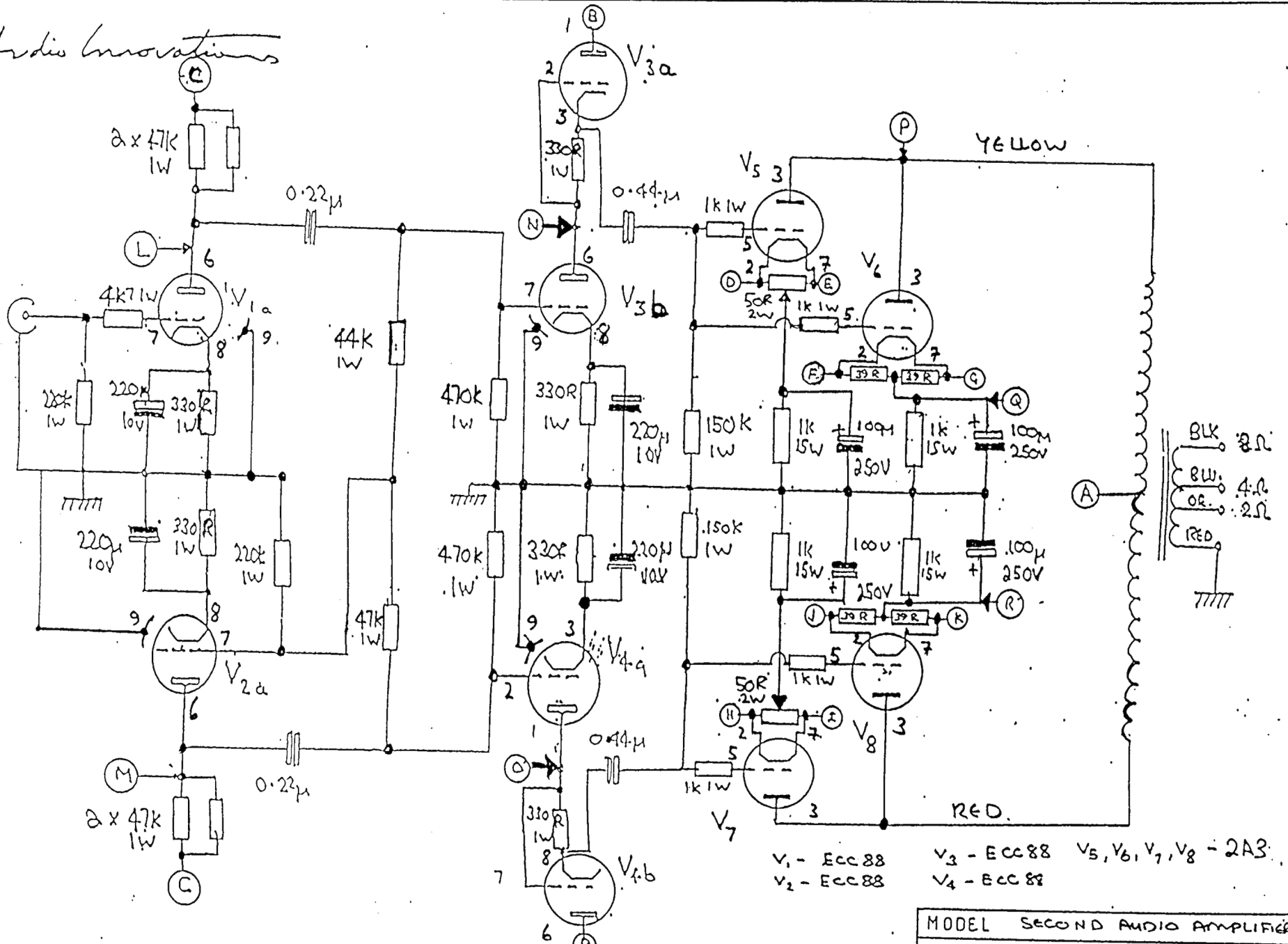
- (A) 315V
- (B) 195V
- (C) 182V



NOTE :- LOW TENSION RECTIFIERS
 (5 off) 8A 50V RATED.

SECOND AUDIO AMPLIFIER
POWER SUPPLY.
25/5/89

Audio Innovations



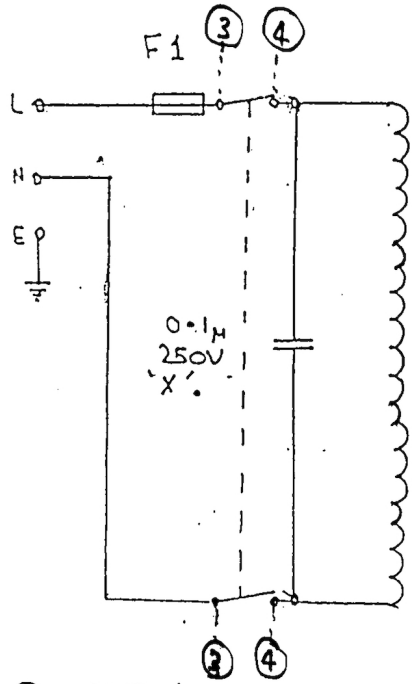
V₁ - ECC88
 V₂ - ECC88
 V₃ - ECC88
 V₄ - ECC88
 V₅, V₆, V₇, V₈ - 2A3

MODEL SECOND AUDIO AMPLIFIER	
CIRCUIT AUDIO CIRCUIT	
DRW NO - 2	DATE 25/5/89

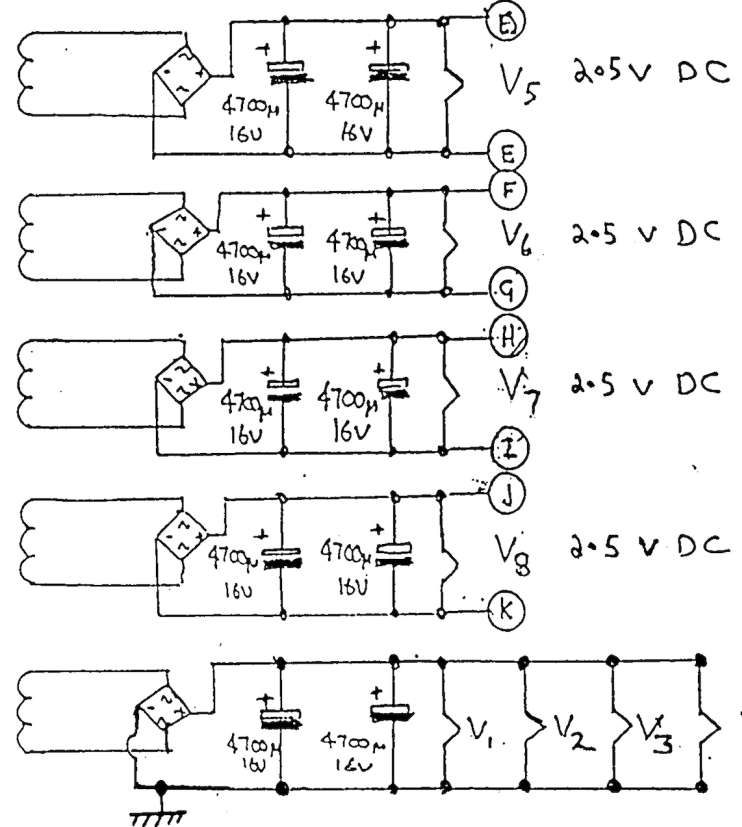
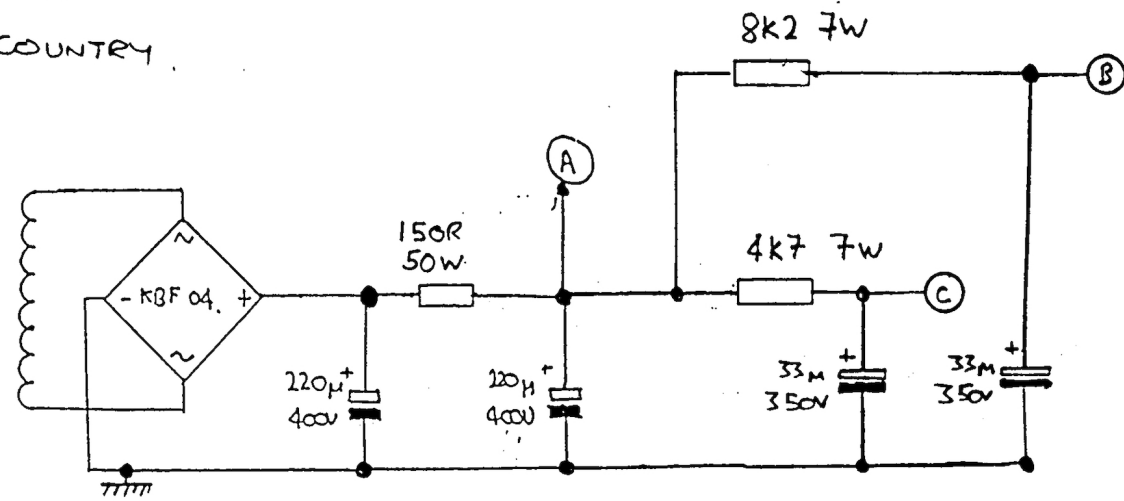
(L) - 90V (M) - 90V (N) - 90-100V (O) - 90-100V (P) - 320V (Q) - 49V (R) - 49V

100-120V G-3A
 F1 - 220-240V 3.15A.

PRIMARY - AS PER COUNTRY



- (A) - 325 V
- (B) - 200 V
- (C) - 260 V



NOTE :- LOW-TENSION RECTIFIERS
 (5 off) 8A 50V RATED.

SECOND AUDIO AMPLIFIER
POWER SUPPLY.
25/5/89 DRW NO 2